

## Stocked Switches — SP6T

### SEM Series

## SP6T / DC-18 GHz

- SMA and N Connector Models
- 7 Models Available from Stock
- Standard Features Include:  
TTL Logic Control, Latching Types,  
Terminated, Normally Open Types



### DC-18 GHz

MODEL NO.	FEATURES	ACTUATING CURRENT mA @28 Vdc & 25°C	FREQUENCY RANGE DC-18 GHz	INSERTION LOSS dB (Max)	VSWR (Max)	ISOLATION dB (Min)
SEM163	SP6T (SMA) NORMALLY OPEN INDICATOR CKT	140	DC-3	0.2	1.2:1	80
			3-8	0.3	1.3:1	70
			8-12.4	0.4	1.4:1	60
			12.4-18	0.5	1.5:1	60
SEM163D	SP6T (SMA) NORMALLY OPEN TTL* SUPPRESSION DIODE INDICATOR CKT	140	DC-3	0.2	1.2:1	80
			3-8	0.3	1.3:1	70
			8-12.4	0.4	1.4:1	60
			12.4-18	0.5	1.5:1	60
SEM163T	SP6T (SMA) NORMALLY OPEN TERMINATED INDICATOR CKT	140	DC-3	0.2	1.2:1	80
			3-8	0.3	1.3:1	70
			8-12.4	0.4	1.4:1	60
			12.4-18	0.5	1.5:1	60
SEM163DT	SP6T (SMA) NORMALLY OPEN TERMINATED TTL* SUPPRESSION DIODES INDICATOR CKT	140	DC-3	0.2	1.2:1	80
			3-8	0.3	1.3:1	70
			8-12.4	0.4	1.4:1	60
			12.4-18	0.5	1.5:1	60
SEM163LD	SP6T (SMA) LATCHING TTL* SUPPRESSION DIODE SELF DE-ENERGIZING CKT INDICATOR CKT	600	DC-3	0.2	1.2:1	80
			3-8	0.3	1.3:1	70
			8-12.4	0.4	1.4:1	60
			12.4-18	0.5	1.5:1	60
SEM163LDT-24	SP6T (SMA) LATCHING INDICATOR CKT	140	DC-3	0.2	1.2:1	80
			3-8	0.3	1.3:1	70
			8-12.4	0.4	1.4:1	60
			12.4-18	0.5	1.5:1	60

\*APPLIES TO ALL SWITCHES WITH TTL:

1. Selected position of the switch is controlled by TTL logic High
2. Switch required only nominal +28 Vdc for coils (additional 5 Vdc is not required).

3. TTL Logic Level: Low 0 to 0.8 Vdc High 2.5 to 5.0 Vdc
4. TTL Logic Input Current: Low 0 mA High 1.6 mA max @ 3.85 Vdc

# Stocked Switches — SP6T

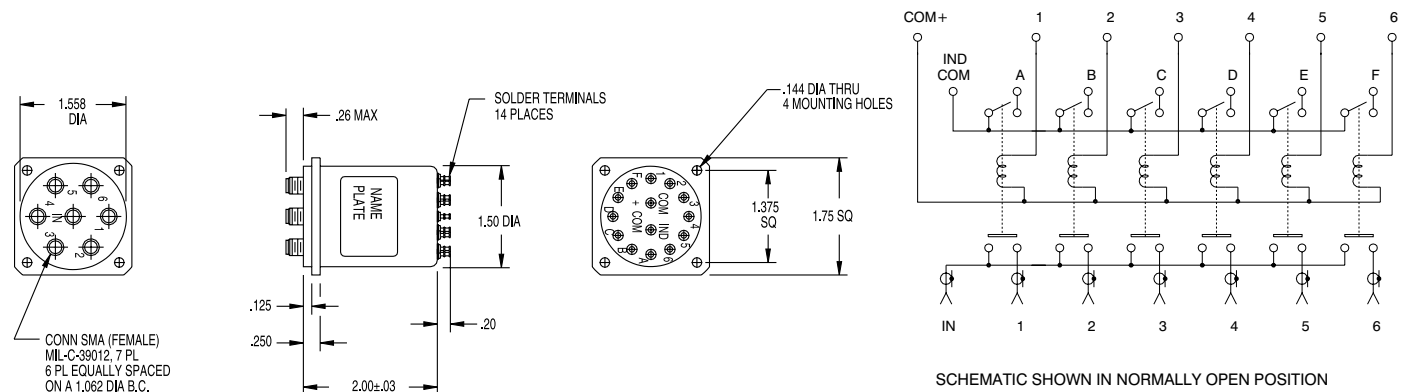
## DC-12.4 GHz

MODEL NO.	FEATURES	ACTUATING CURRENT mA @28 Vdc & 25C	FREQUENCY RANGE DC-18 GHz	INSERTION LOSS dB (Max)	VSWR (Max)	ISOLATION dB (Min)
SEM163LDN	SP6T (TYPE N) LATCHING TTL* SUPPRESSION DIODE SELF DE-ENERGIZING CKT INDICATOR CKT	600	DC-3 3-8 8-12.4	0.2 0.3 0.5	1.2:1 1.3:1 1.5:1	80 70 60

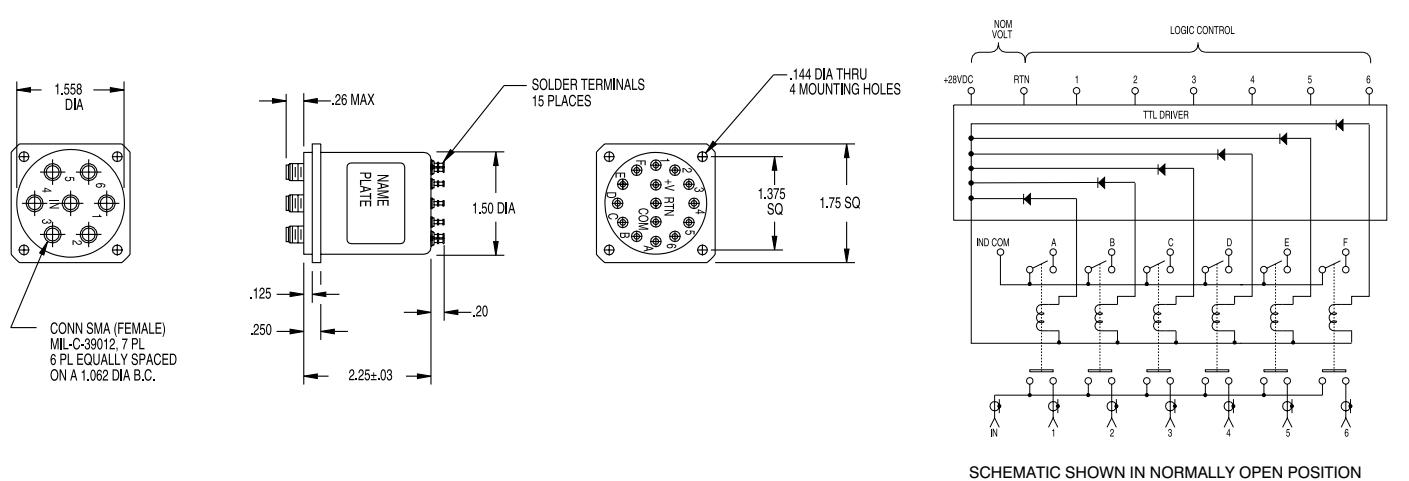
\*APPLIES TO ALL SWITCHES WITH TTL:

- Selected position of the switch is controlled by TTL logic High
- Switch required only nominal +28 Vdc for coils (additional 5 Vdc is not required).
- TTL Logic Level: Low 0 to 0.8 Vdc High 2.5 to 5.0 Vdc
- TTL Logic Input Current: Low 0 mA High 1.6 mA max @ 3.85 Vdc

## SEM163

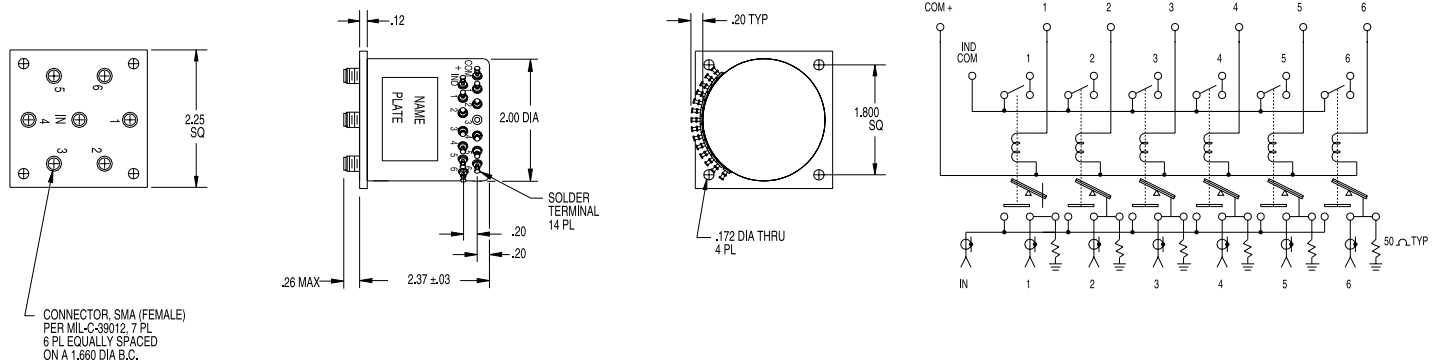


## SEM163D



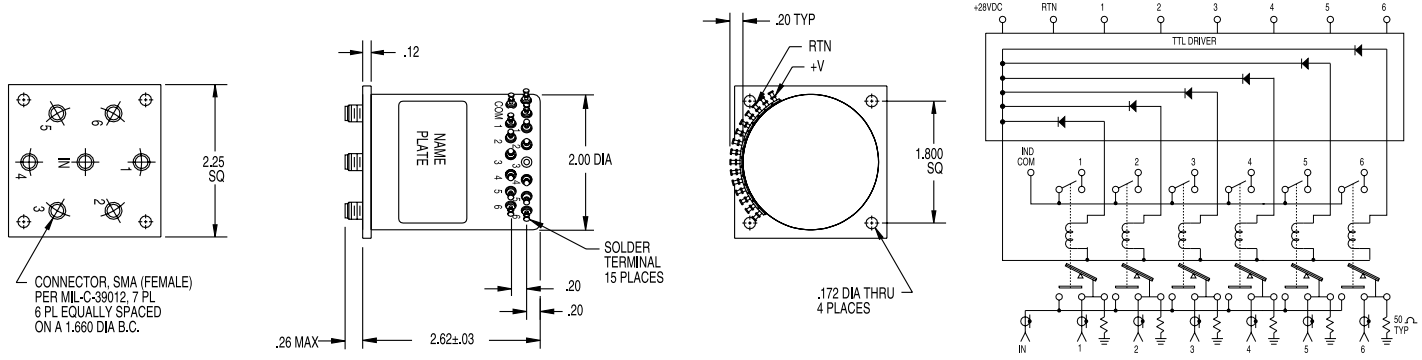
# Stocked Switches — SP6T

## SEM163T



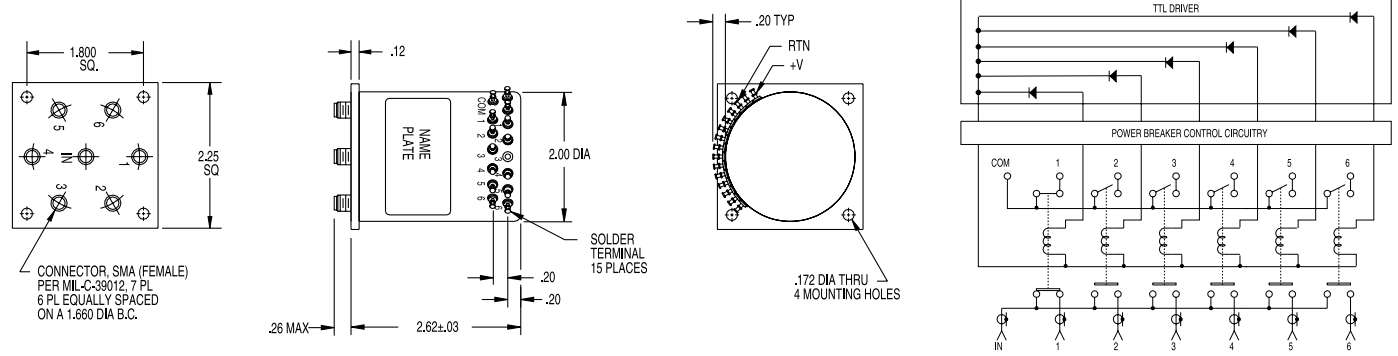
SCHEMATIC SHOWN IN 50 OHM TERMINATED POSITION

## SEM163DT



SCHEMATIC SHOWN IN NORMALLY OPEN POSITION

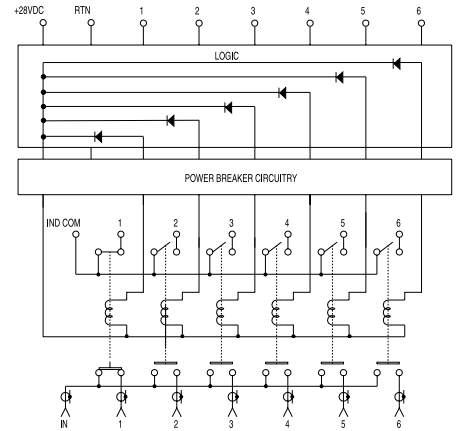
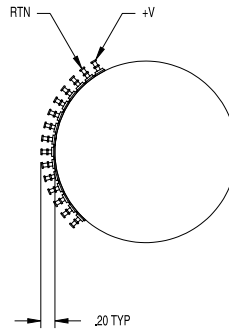
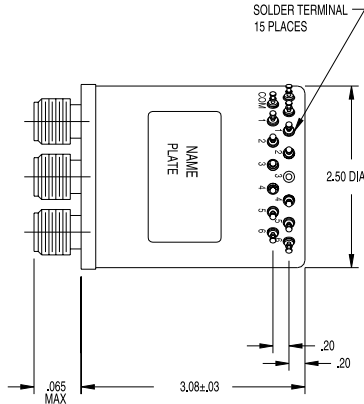
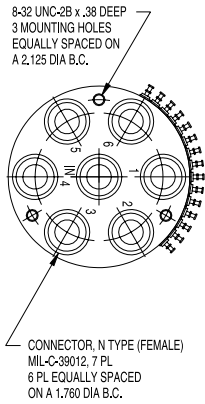
## SEM163LD



SCHEMATIC SHOWN WITH POSITION 1 CLOSED

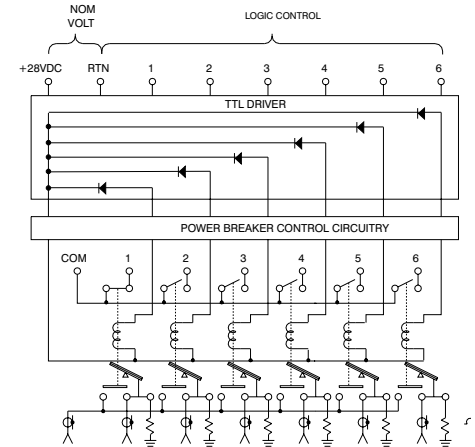
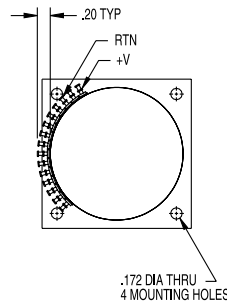
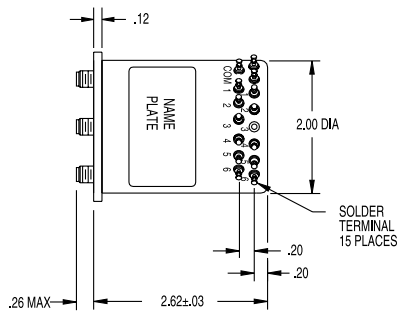
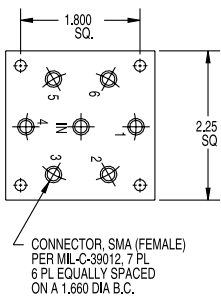
# Stacked Switches — SP6T

## SEM163LDN



SCHEMATIC SHOWN WITH POSITION 1 CLOSED

## SEM163LDT-24



SCHEMATIC SHOWN WITH POSITION 1 CLOSED